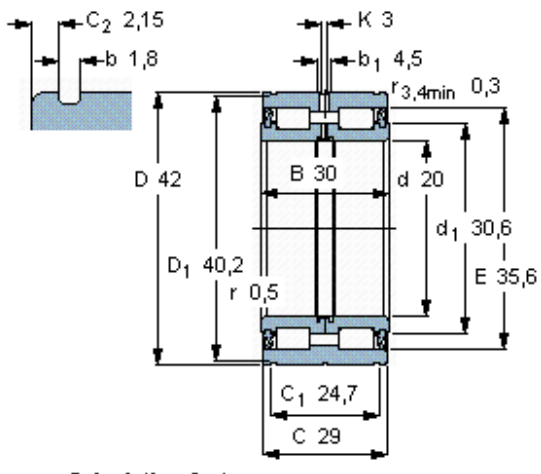
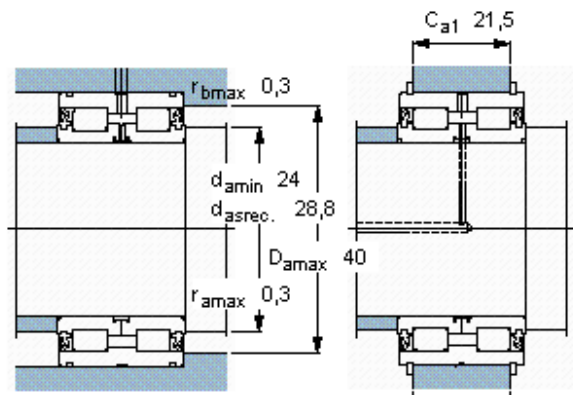


Rolamentos de rolos cilíndricos, double row full complement

Principal dimensions			Basic load ratings		Speed ratings	Limiting speed	Designation
d	D	B	dynamic C	static C0	Reference speed		
mm			kN		r/min		-
<b>20</b>	42	30	45,7	55	-	3400	NNF 5004 ADB-2LSV



**Calculation factor**  
 $k_r$  0,4



**Appropriate snap rings**

- Seeger SW 42  $C_{a1}$
- DIN 471 42x1.75  $C_{a2}$